
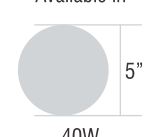




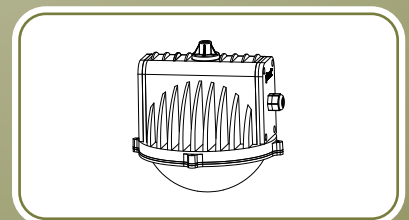
Beam Angle  150°

Ra > 80

Available in



5"
40W



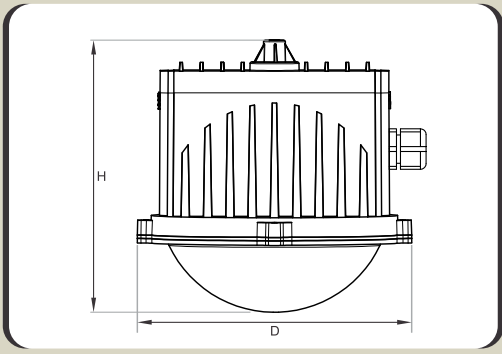
Features:

As the name suggests, the Warhorse is a robust and dependable industrial general lighting solution. It's an innovative replacement for the conventional HPSV well glass luminaire, delivering the same lighting levels in a reduced size with even better performance. Embracing LED technology, the Warhorse confirms over 40% energy savings and is low on maintenance compared to its conventional counterparts.

Design:

- Pressure die cast aluminum housing for rugged applications.
- IP65 ingress protection ensuring its long life and consistent performance in dusty areas of application.
- Impact resistant polycarbonate optical dome cover eliminates the common problem of glass breakage at installation site.
- Complies to various international norms of safety & performance.
- Efficient electronics aid its excellent performance.

Dimensional Data:



Dimensions	40W
Length (L)	NA
Breadth (B)	NA
Height (H)	188mm
Diameter (D)	120mm
Cut Out	NA

Product Specifications:

Product Code	Product Description	Power	CCT	Lumens	Power Factor
WWG040C000	Pharox - Warhorse - 40W 5700K Clear [#] Well Glass Light	40W	5700K	4000lm	>0.95

[#]Opal Dome also available on request

Performance Guide: Watts/m²

Ht. (mtrs)	Lux Level*		
	200	150	100
6	4.02	3.20	2
5	3.26	2.40	1.60
4	3.20	2.02	1.56

Reflectances:	
Ceiling	80%
Floor	20%
Walls	50%

Light Loss Factor: 0.8

Lumens: 4000lm

* For 40W CW Luminaire
Data available on request for other variants